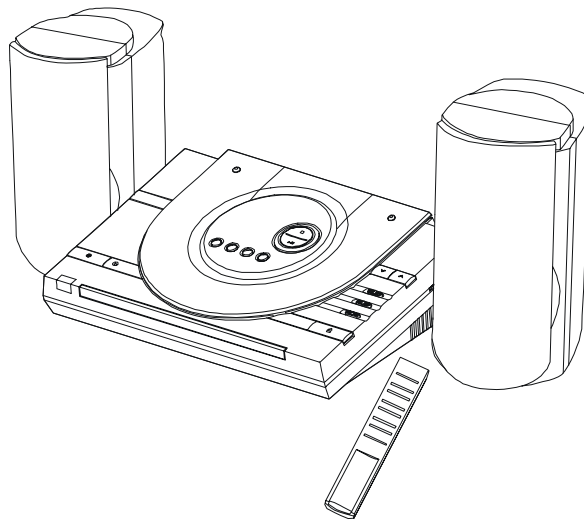


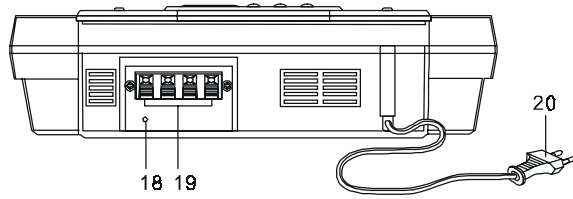
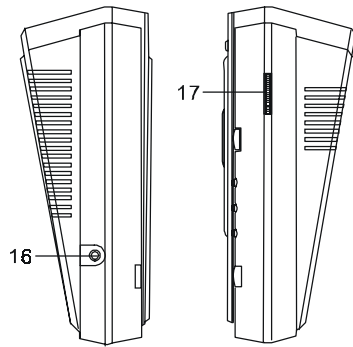
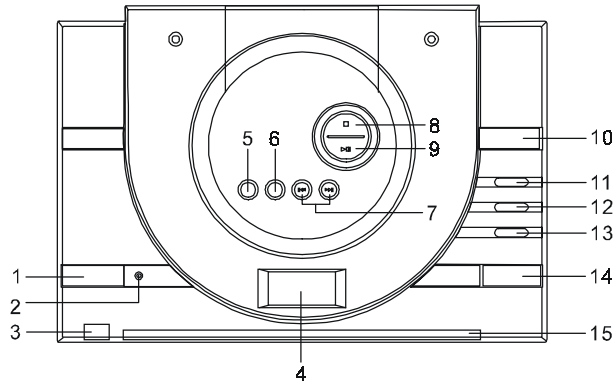


**STEREO MICRO SYSTEM
WITH TOP LOADING CD
PLAYER AND REMOTE CONTROL**

RCD-637



INSTRUCTION MANUAL



To achieve the utmost in enjoyment and performance, please read this manual carefully before attempting to operate the unit in order to become familiar with its features, and assure you years of faithful, trouble free performance and listening pleasure.

Important Notes

- * Keep instructions the safety and operating instructions should be retained for future reference.
- * Avoid installing the unit in locations described below:
 - Places exposed to direct sunlight or close to heat radiating appliances such as electric heaters.
 - On top of other stereo equipment that radiate too much heat.
 - Places lacking ventilation or dusty places.
 - Places subject to constant vibration.
 - Humid or moist places.
- * Make sure not to obstruct the ventilation opening.
- * Operate turning controls and switches as instructed in the manual.
- * Before turning on the power for the first time, make certain the power cord is properly installed.
- * Store your CD in a cool area to avoid damage from heat.

For safety reasons, do not remove any covers or attempt to gain access to the inside of the product. Refer any servicing to qualified personnel.

Do not attempt to remove any screws, or open the casing of the unit; there are no user serviceable parts inside, refer all servicing to qualified service personnel.



CAUTION
RISK OF ELECTRIC SHOCK
DO NOT OPEN



CAUTION : TO REDUCE THE RISK OF ELECTRIC SHOCK DO NOT REMOVE COVER(OR BACK), NO USER SERVICEABLE PARTS INSIDE, REFER SERVICING TO QUALIFIED SERVICE PERSONNEL.

DANGEROUS VOLTAGE



Conductor dangerous voltage, that may be of sufficient magnitude to constitute a risk of electric shock to persons is present within this product's enclosure.

ATTENTION



The owner's manual contains important operating and maintenance instructions, for your safety, it is necessary to refer to the manual.

WARNING : TO PREVENT FIRE OR SHOCK HAZARD, DO NOT EXPOSE THIS APPLIANCE TO DRIPPING OR SPLASHING.

Note:

This unit will become warm when used for a long period of time. This is normal and does not indicate a problem with the unit.

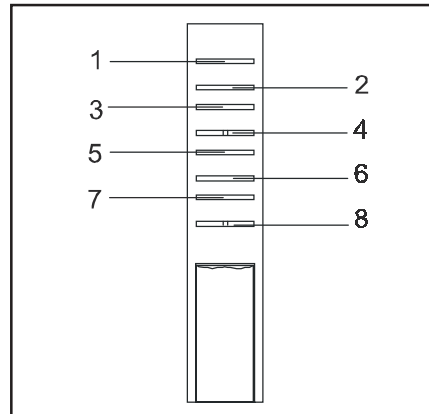
This CD player includes micro-processors which may malfunction as a result of external electrical interference or noise. If the CD player is not working properly, disconnect the power source and then reconnect it.

■ FEATURES AND CONTROLS

1. POWER / STANDABY BUTTON
2. STANDBY INDICATOR
3. IR SENSOR
4. DISPLAY WINDOW
5. PROGRAM BUTTON
6. REPEAT BUTTON
7. SKIP / SEARCH BUTTON
8. STOP BUTTON
9. PLAY / PAUSE BUTTON
10. VOLUME DOWN & UP BUTTON
11. BASS ON / OFF SWITCH
12. AM / FM / FM ST. SWITCH
13. CD / RADIO SWITCH
14. CD DOOR OPEN BUTTON
15. POWER ON INDICATOR (MUTE INDICATOR WHEN FLASHING)
16. HEADPHONE JACK
17. TUNING KNOB
18. FM ANTENNA
19. SPEAKER TERMINAL
20. AC POWER CORD

■ REMOTE CONTROL

1. POWER BUTTON
2. PLAY / PAUSE BUTTON
3. STOP BUTTON
4. SKIP / SEARCH BUTTON
5. REPEAT BUTTON
6. RANDOM BUTTON
7. MUTE BUTTON
8. VOLUME DOWN / UP BUTTON

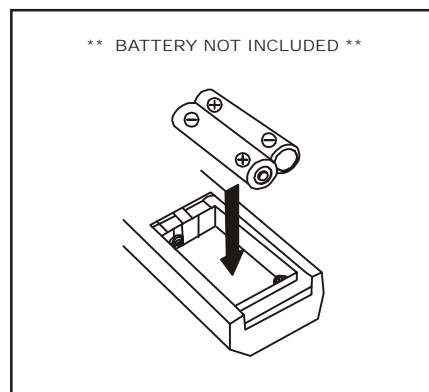


■ PUTTING THE BATTERIE INTO THE REMOTE CONTROL UNIT

Press down of the compartment cover, and slide the cover off open the compartment.

Place the two 1.5V (UM3), (AA), (R6) batteries in the remote control according to the polarity markings ("+" and "-") inside the compartment and on the batteries.

Place the cover over the compartment, press down lightly, and push it upward until it snaps on.



■ FM ANTENNA

FM antenna wire for better FM reception.

■ ADJUSTING THE SOUND

Press the volume +/- buttons to set the sound level. For increased bass at all volume levels, switch the BASS SWITCH on to boost the low frequency sound. To mute the sound, press MUTE button on the remote control the POWER ON / MUTE indicator will flash. To resume the sound, press the MUTE button again or just press the volume +/- button to disable the MUTE function.

■ RADIO OPERATION

Set the CD / RADIO switch to RADIO.


FM

Select FM mode band selector switch. Turn the TUNING control to select the required station. The FM STEREO indicate light will show a stereo broadcast is being received. Fully extend the FM antenna and adjust its direction for best FM reception.

AM

Select AM on band selector switch. Turn the TUNING control to select the required station. For operation on AM the set control a built-in ferrite aerial which is directional. Therefore, the set should be positioned for the best signal strength.

FM STEREO RECEPTION

For reception of a FM stereo broadcast station, set the AM / FM / FM ST. switch to FM ST. position. The "  " will indicate on the LCD display when a FM STEREO broadcast is being received.

■ LISTENING TO COMPACT DISC (CD)

The LCD indicator always shown the tracks of a disc or program which are still to be played. It works in all modes, in stop modes, all tracks of the disc or the program are shown.


Playing The Entire Disc

1. Playback will start by pressing PLAY/PAUSE, the "PLAY" indicator then appears.
Playback starts with the first track. The display shown the current track number.
2. To interrupt playback, press PLAY/PAUSE. The "PLAY" indicator will flash.
3. To resume playback, press PLAY/PAUSE again.
4. To stop playback, press STOP.

Select A Different Track During Play

1. Press SKIP/SEARCH button on the unit (or remote), the required track number appears in the display.
2. Press PLAY/PAUSE button to starting playing. Starting again with the track that is currently playing.

Starting Again With The Track That Is Currently Playing

1. Press SKIP BACKWARD button "" once.
2. The track will be started again from the beginning.

Stopping Play

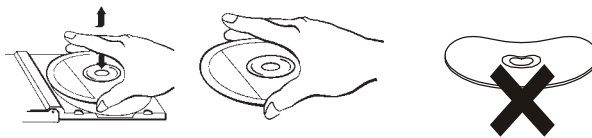
1. Press STOP if you wish to stop play. The disc and track number which can be played will now appear in the display.
2. Open the CD door on the unit to remove the CD.

■ COMPACT DISC

1. Always use a compact discs bearing the mark as shown.



2. Notes on handling discs
Removing the disc from its storage case and loading it.
- * Do not touch the reflective recorded surface.
 - * Do not stick paper or write anything on the surface.
 - * Do not bend the disc.



3. Storage
- * Store the disc in its case.
 - * Do not expose discs to direct sunlight or high temperatures, high humidity or dusty places.
4. Cleaning a disc
- * Should the disc become soiled, wipe off dust, dirt and fingerprints with a soft cloth.
 - * The disc should be cleaned from the center to the edge.

FROM THE CENTRE TO THE EDGE



CORRECT

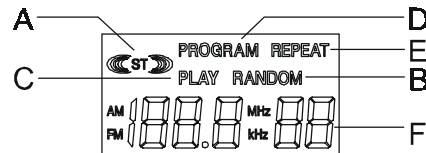


INCORRECT

- * Never use benzene, thinners, record cleaner fluid or anti static spray.
- * Be sure to close the CD door so the lens is not contaminated by dust.
Do not touch the lens.

■ CD DISPLAY WINDOW

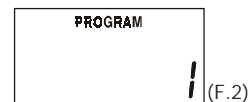
- A. FM STEREO INDICATOR
- B. RANDOM INDICATOR
- C. PLAY INDICATOR
- D. PROGRAM INDICATOR
- E. REPEAT INDICATOR
- F. TRACK NUMBER DISPLAY



■ PROGRAMMED PLAYBACK

Up to 20 tunes can be programmed for listening and played.

1. Press the PROGRAM button.(F.1)
2. Select the desired track number using the SKIP/SEARCH button on the unit (or remote).(F.2)
3. Press the PROGRAM button to memories the track selection.
4. Repeat steps 1 and 3 as to memories up to 20 tracks.
5. Press PLAY / PAUSE button, to play starts with the first track of the program.
6. To stop playing, press the STOP button.
7. Opening the door clears all programmes.



■ RANDOM PLAY (for Remote Handset)

1. Press the RANDOM button once, and the "RANDOM" indicator will light up.
2. Press the PLAY / PAUSE button to start playing. The tracks will be played randomly.
3. To cancel random play, either press the STOP button twice or press the RANDOM button once again, until the "RANDOM" indicator disappeared.

■ REPEAT PLAY

1. When playing CD, If repeat the same track only, press the REPEAT button once and the "REPEAT" indicator will light up and flash.
2. If you desire to repeat all, press REPEAT button twice and the "REPEAT" indicator will light up and not flash.
3. To cancel repeat play, press the STOP button twice until the repeat indicator disappeared.

■ SPECIFICATION

POWER SUPPLY :	AC 120V-60Hz
OUTPUT POWER :	1.8 WATTS RMS x 2
UNIT DIMENSION :	291(L) X 201(W) X 77(H) mm
SPEAKER DIMENSION :	110(L) X162(W) X 205(H) mm
N.W. :	2.85KG

RADIO SECTION

FREQUENCY RANGE :	FM 87.5 - 108 MHz
	AM 530 - 1710 kHz

COMPACT DISC SECTION

OPTICAL PICKUP :	3 - BEAM LASER
FREQUENCY RESPONSE :	100Hz - 16 KHz